

# HYVA OIL TANKS



## REAR MOUNTED TANK

Hyva

type :

Oil tank RM - 081L/065L - RF

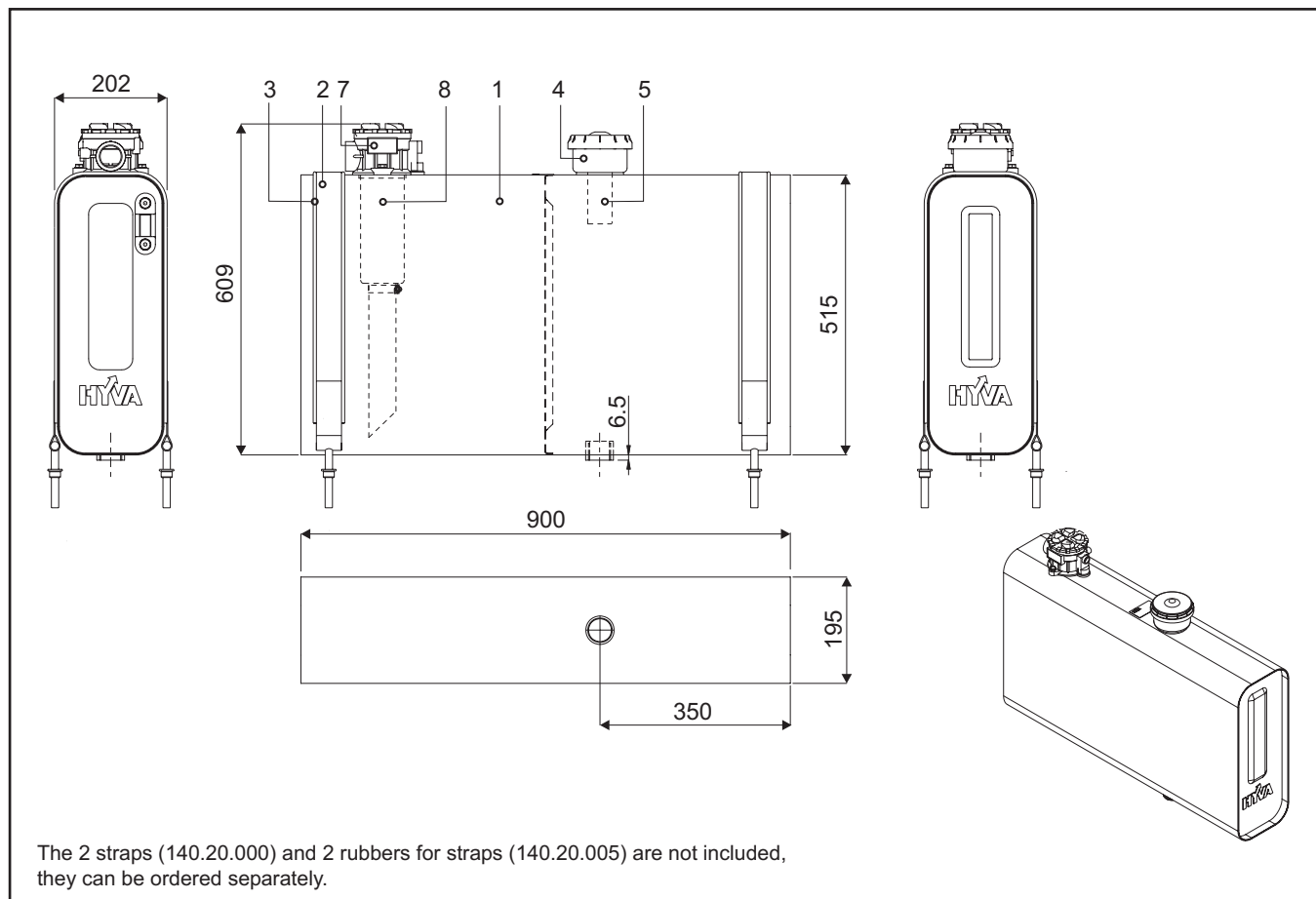
Page 1 / 1

part number tank :

140 15 220

working volume :

65 liters



### Part list

Pos.	Part no.	Description	Qty.
1	140 15 220	Oil tank RM - 081L/065L - RF	1
2	140 20 000	straps and nuts for 190x515	2
3	140 20 005	rubber for straps 190x515	2
4	081 02 116	air breather filter	1

### Spare Parts

Pos.	Part no.	Description	Qty.
5	081 02 117	air filter element	1
6	081 02 129	level indicator	1
7	147 80 351	return line filter	1
8	148 96 991 A	oil filter element	1

### Optional:

081 01 078	vibration dampers	4
------------	-------------------	---

### General information

#### Pay attention to the following points:

- Mount the tank according to the mounting instructions.
- Fill the tank with the recommended hydraulic oil to the centre of the level indicator.
- Change the oil once a year.
- Replace the oil filter element and air filter element twice a year.
- Do not use the tank as a support or to stand on.
- Do not weld to the oil tank.

### Mounting instructions

#### Rear mounted tank on chassis.

Before mounting the tank, check carefully whether all openings and connections are free of packaging tape, dirt or particles etc.

- **Attention** Hyva gives no guarantee for tanks that are mounted without the necessary tank rubber or vibration dampers! Bend the straps around the tank. Mount the straps with the rubber straps below the straps. Torque the bolts to 30Nm. Make sure all four bolts are evenly tightened. Check the bolts on torque after 1000 km. Mount the Air breather on the tank using the 6 supplied bolts.
- **Sealing** Use fluid sealant or Teflon tape when fitting to a hydraulic component without an o-ring. When a hydraulic component is provided with o-ring, no tape or fluid sealant is necessary.

### Specifications

Gross volume	: 81	Liters
Working volume	: 65	Liters
Weight tank	: 35	kg
Suction connection	: 1½"	BSPIT