

Specifications

Support configuration.	Tank	
Part number Aluminum	14018292	
Support with rubber ,straps with rubber, mounting kit included	Included	3 H
Gross volume	132	liter
Working volume	112	liter
Weight tank	15	kg
A: Suction Port	1.5"	BSP
B: Return Port	-	BSP
W: Width	330	mm

* The suction port (A) is closed with temporary plastic plug.

The mounting plate (MP) port is closed with a temporary plastic plug

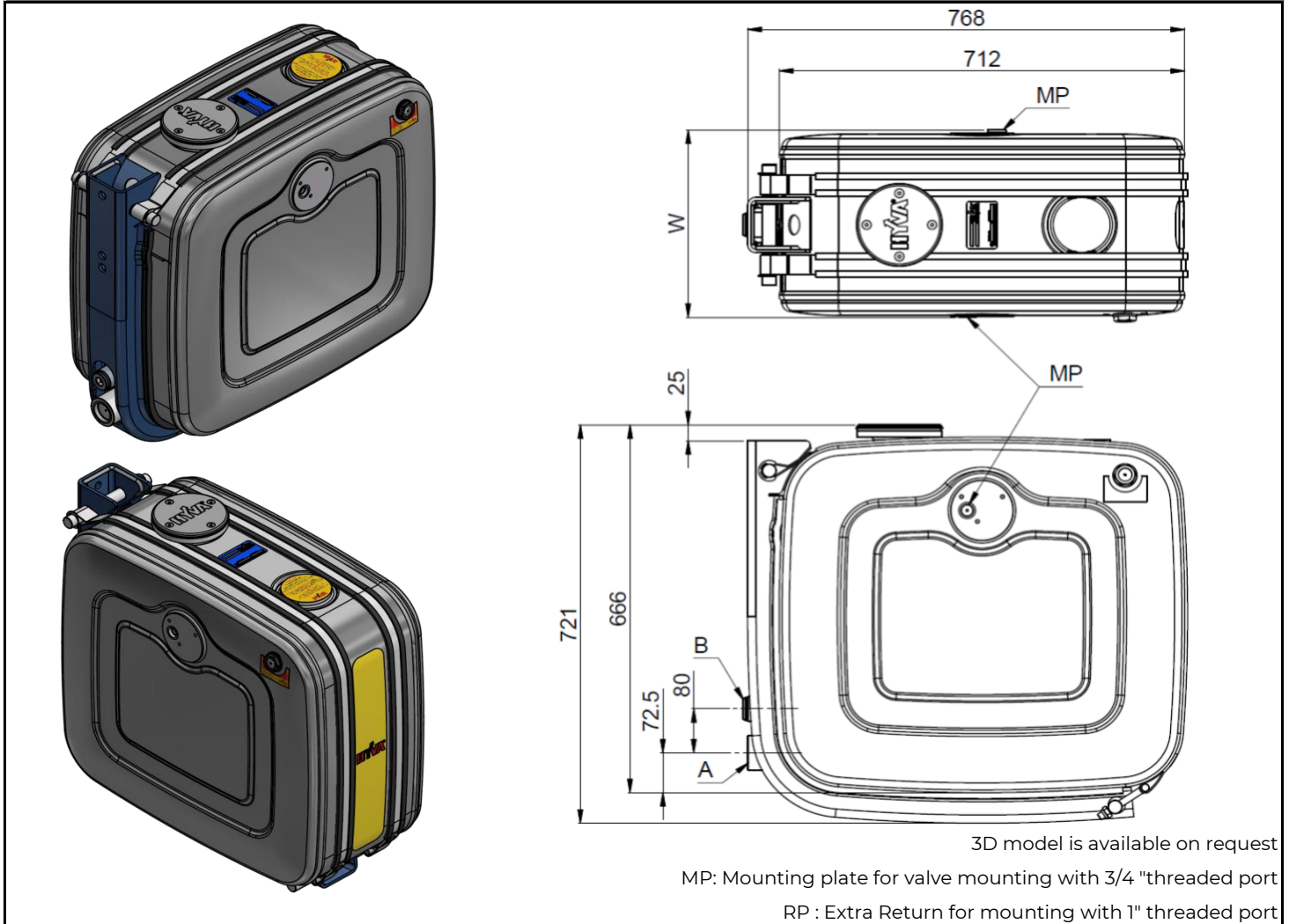
Technical notes

- Mount the tank according to the mounting instructions · Fill the tank with the recommended hydraulic oil to the centre of the level indicator
- Change the oil once a year · Replace the air breather and return filter element twice a year · Do not use the tank to stand on or as a support
- Do not weld on the oil tank

Related documentation

Mounting instructions: OIL-0024

Oil specifications: OIL-0011



Specifications

Support configuration.	Tank	
Part number Aluminum	14018293	
Support with rubber ,straps with rubber, mounting kit included	Included	3 H
Gross volume	132	liter
Working volume	112	liter
Weight tank	16.5	kg
A: Suction Port	1.5"	BSP
B: Return Port	1"	BSP
W: Width	340	mm

* The suction port (A) is closed with temporary plastic plug. The return port (B) is closed with a permanent plug.

The port of the left mounting plate (MP) is closed with a steel plug and sealing .

Other ports are closed with temporary plastic plug.

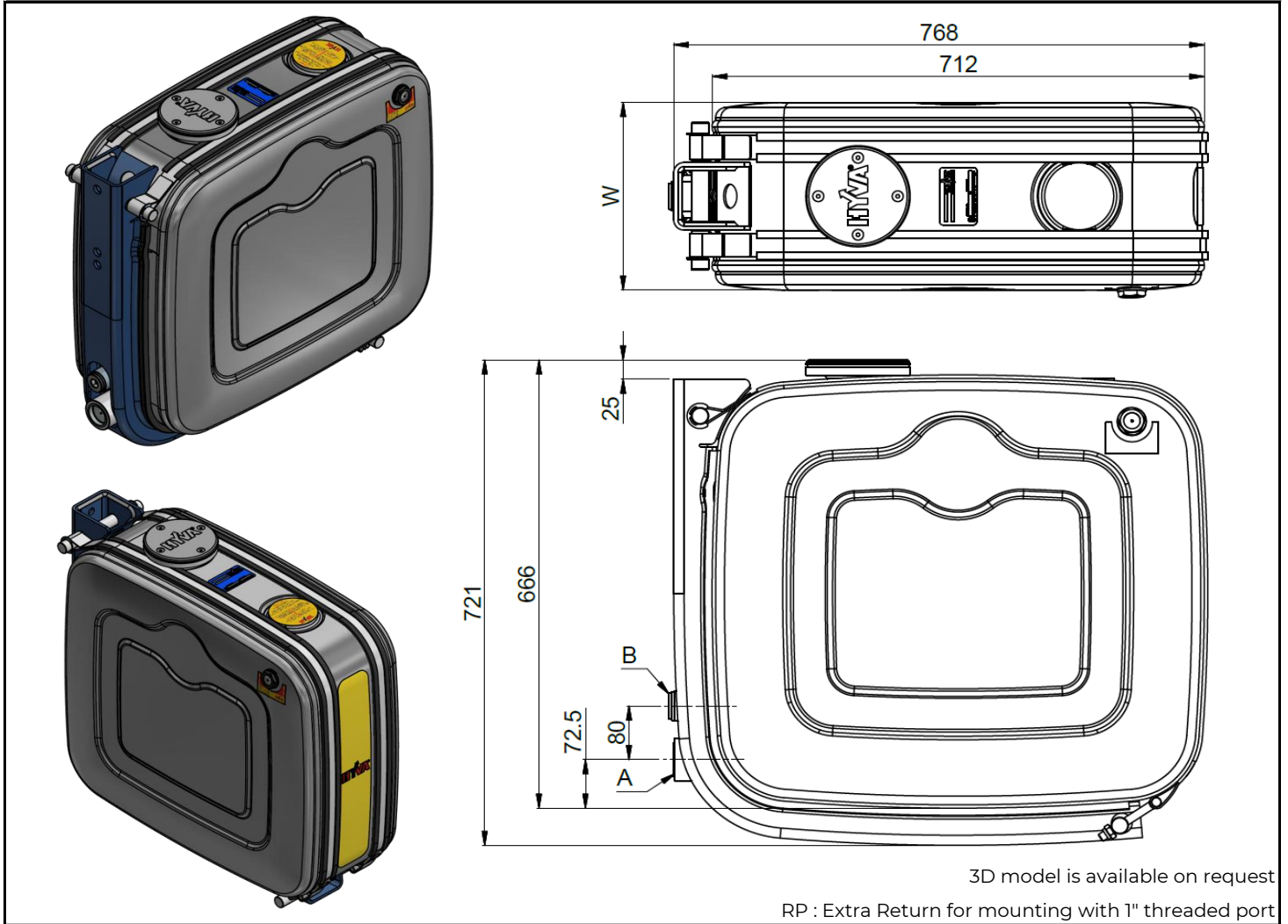
Technical notes

- Mount the tank according to the mounting instructions · Fill the tank with the recommended hydraulic oil to the centre of the level indicator
- Change the oil once a year · Replace the air breather and return filter element twice a year · Do not use the tank to stand on or as a support
- Do not weld on the oil tank

Related documentation

Mounting instructions: OIL-0024

Oil specifications: OIL-0011



Specifications

Support configuration.	Tank	
Part number Aluminum	14018294	
Support with rubber ,straps with rubber, mounting kit included	Included	3 H
Gross volume	110	liter
Working volume	94	liter
Weight tank	15	kg
A: Suction Port	1.5"	BSP
B: Return Port	1"	BSP
W: Width	280	mm

* The suction port (A) is closed with temporary plastic plug. The return port (B) is closed with a permanent plug.

Technical notes

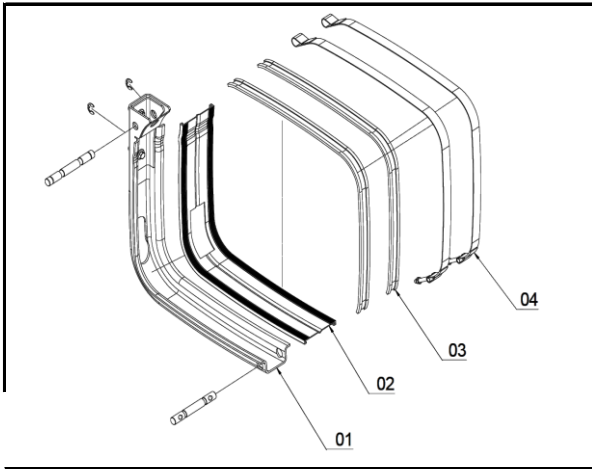
- Mount the tank according to the mounting instructions · Fill the tank with the recommended hydraulic oil to the centre of the level indicator
- Change the oil once a year · Replace the air breather and return filter element twice a year · Do not use the tank to stand on or as a support
- Do not weld on the oil tank

Related documentation

Mounting instructions: OIL-0024

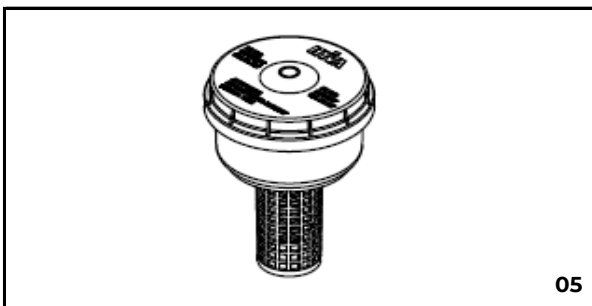
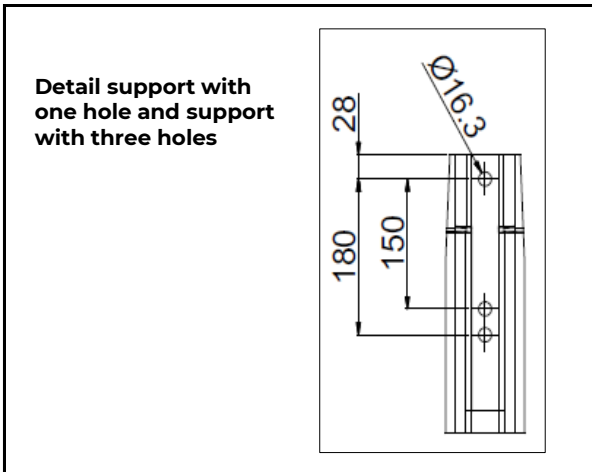
Oil specifications: OIL-0011

Supports, straps, rubbers, air breather & mounting kits



No.	Part no.	Description	Weight [kg]
01 & 02	14020314	Support with three hole incl. rubber	11.7
02	14020315	Rubber for support	0.4
03 & 04	14020313	Strap with rubber	1.2
03	14020429	Rubber for strap	0.2
05	08102116	Air breather	0.4
n/a	14020379	Bolt kit single support tank : - pin botton (1x) - pin top (1x) -Circlip for pin top (2x) -Nut M12 for strap bolt (2x)	

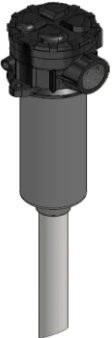
* The washers are for mounting support to chassis with M14 bolts.
If M16 bolts are used, see Accessoires for washer kit for M16 bolts.




Return filters

No.	Part no.	Description	Weight [kg]
06	14780303	Return filter house SC - 150L/m	1.0
07	14780333	Return filter house HC - 250L/m	1.1
08	14895920	Return filter plate 150 L/m	1.9

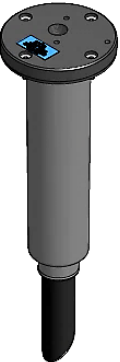
If hoses larger than 3/4" or multiple hoses are connected to the return filter house version (no's 06, 07)



06



07

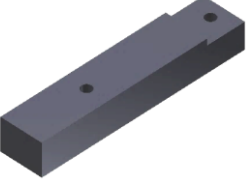


08

Accessories


No.	Part no.	Description	Weight [kg]
09	01040002	Spacer 295x60x40 for MAN	0.8
	01040003	Spacer 298x60x27 for MAN	0.5
	01040004	Spacer 160x60x8 for Renault	0.1
	01040005	Spacer 120x60x20/16 for Mercedes	0.3
	01040006	Spacer 230x60x6/2 for Mercedes	0.1
	01040007	Spacer Flat 67MM Iveco	0.7
10	14020125	Washer kit for M16 bolt	0.2

If support is connected to the chassis by M16 bolts instead of M14 bolts, Hyva advises to use the washer kit in the table (no. 10).



Depends on chassis

09

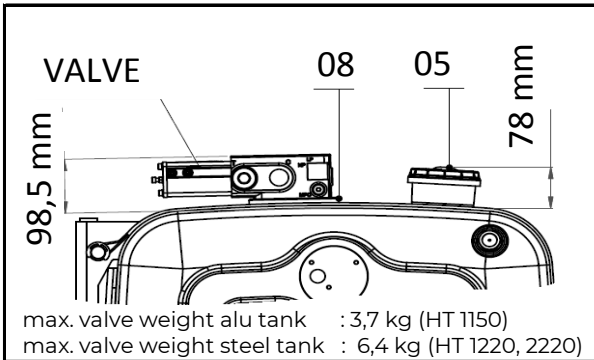


X 4

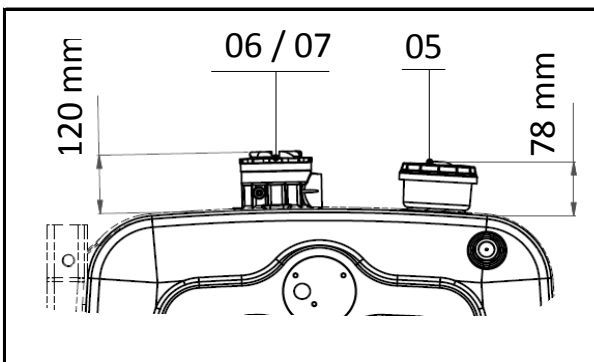
10

Valve mounting options

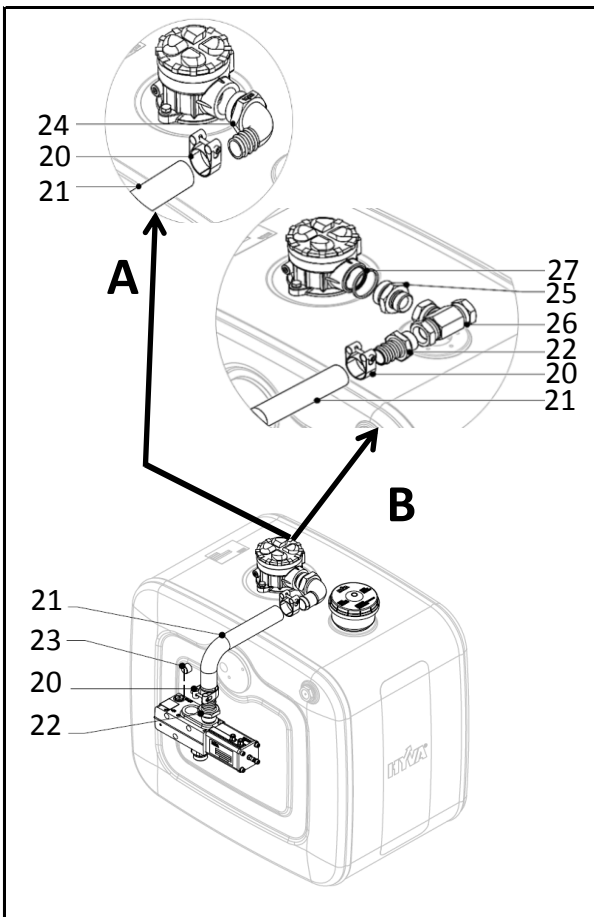
Top mounted valve



Chassis or cylinder mounted valve



Side mounted valve



No.	Description	Part No.	Qty. per KIT	
			Option A	Option B
	Full kit option A	14021045	•	
	Full kit option B	14021046		•
20	Worm Clamp	01238120	2	2
21	Return Hose LP20 pre-bend	14797010	1	1
22	Hose Pillar LP20-1"	14500589	1	2
23	Allen plug 1/2 "	14799175	1	1
24	Hose Pillar LP20- 1 1/4"	14799028	1	-
25	Adapter 1 1/4" - 1"	01222107	-	1
26	Adapter T 3X1"	01318251	-	1
27	Bonded Seal T 1 1/4"	01206874	-	1