

Specifications

Support configuration	Double support				
	14018270	14018272	14018274	14018276	
Part number Aluminum	14018270	14018272	14018274	14018276	
Support with rubber, strap with rubber, mounting kit & air breather included	14020166				1H
	14020167				3H
W : Width	14.9	17.3	19.5	22.8	Inches
MW : Mounting Width min / max	7.7 / 8.9	7.9 / 10.8	8.7 / 13	9.8 / 16.3	Inches
Gross volume	34.1	39.4	44.2	51.9	gallons
Working volume	28.6	33	37.4	44	gallons
Weight tank (Aluminum)	33.1	35.3	37.5	39.7	lbs.
A : Suction port	1.5"	1.5"	1.5"	1.5"	BSP

The mounting plate (MP) port is closed with a temporary plastic plug.

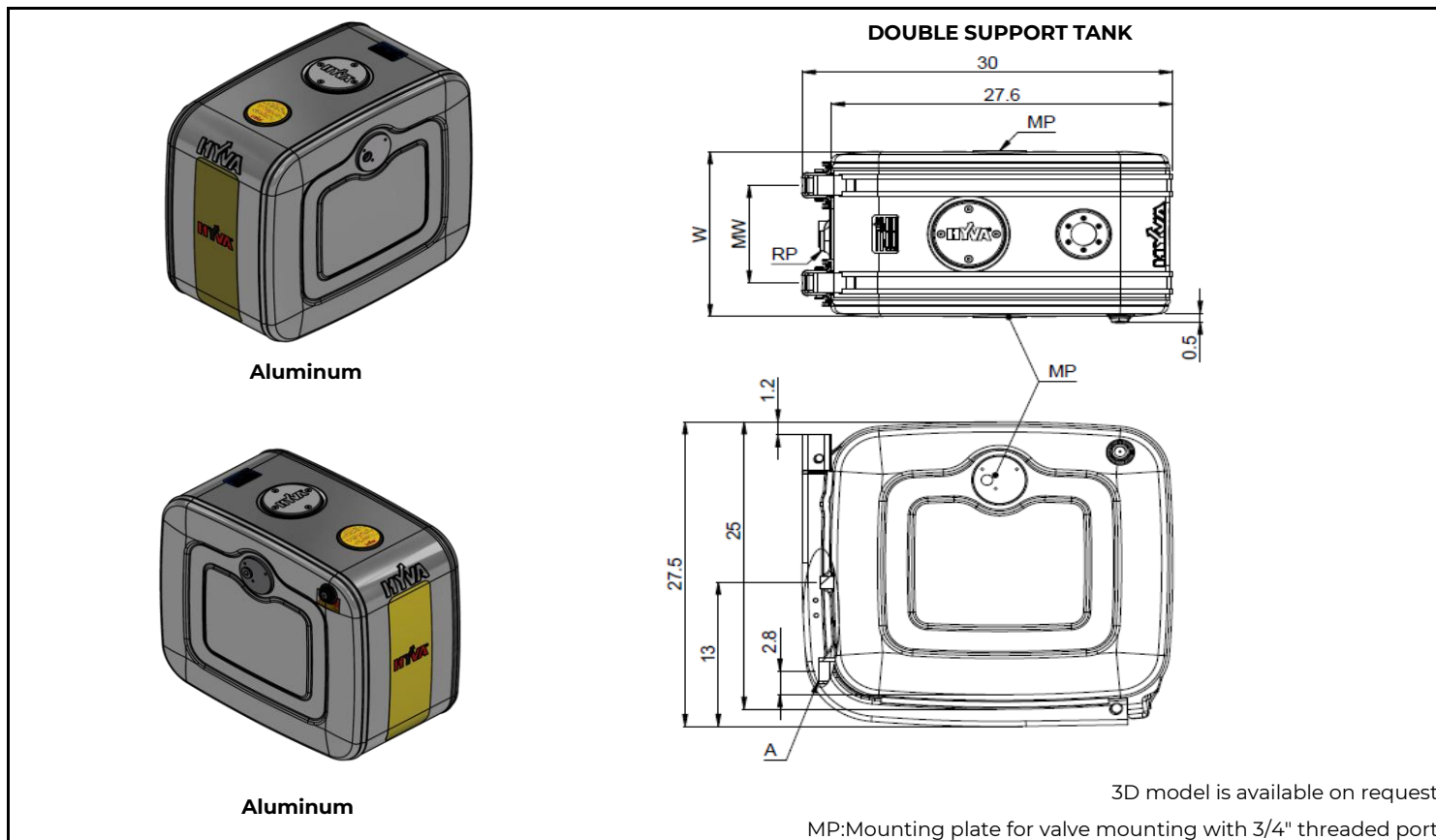
Technical notes

- Mount the tank according the mounting instructions · Fill the tank with the recommended hydraulic oil to the centre of the level indicator · Change the oil once a year · Replace the air breather and return filter element twice a year · Do not use the tank to stand on or as a support · Do not weld on the oil tank

Related documentation

Mounting instructions: OIL-0014 & OIL-0015

Oil specifications: OIL-0011



Specifications

Support configuration	Double support				
	14018271	14018273	14018275	14018277	
Part number Aluminum plus	14018271	14018273	14018275	14018277	
Support with rubber, strap with rubber, mounting kit & air breather included	14020166				1H
	14020167				3H
W : Width	14.9	17.3	19.5	22.8	Inches
MW : Mounting Width min / max	7.7 / 8.9	7.9 / 10.8	8.7 / 13	9.8 / 16.3	Inches
Gross volume	34.1	39.4	44.2	51.9	gallons
Working volume	28.6	33	37.4	44	gallons
Weight tank (Aluminum)	33.1	35.3	37.5	39.7	lbs.
A : Suction port	1.5"	1.5"	1.5"	1.5"	BSP
Extra Return Port (RP) size	1"	1"	1"	1"	BSP

The port of the left mounting plate (MP) and the extra return port (RP) are closed with a steel plug and sealing.

Other ports are closed with temporary plastic plugs

Technical notes

· Mount the tank according the mounting instructions · Fill the tank with the recommended hydraulic oil to the centre of the level indicator · Change the oil once a year · Replace the air breather and return filter element twice a year · Do not use the tank to stand on or as a support · Do not weld on the oil tank

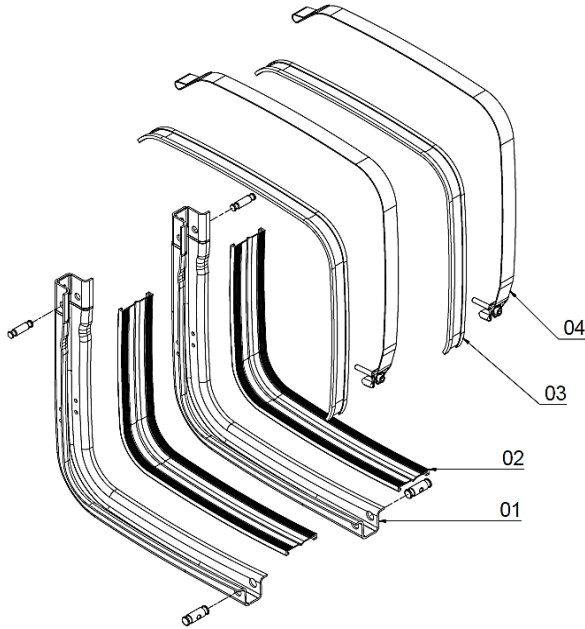
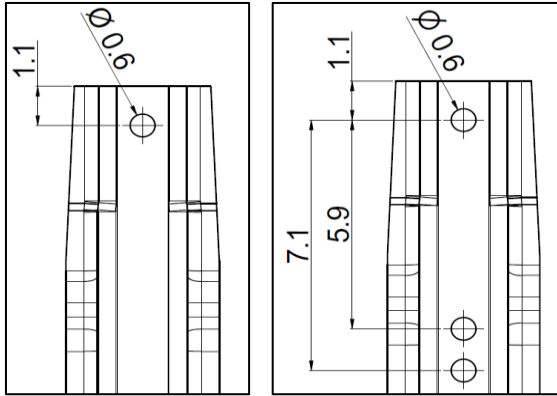
Related documentation

Mounting instructions: OIL-0014

Oil specifications: OIL-0011

Supports, straps, rubbers, air breather & mounting kits

Detail support with one hole and support with three holes



Double support

Full kits

Part no.	Description
14020166	Full kit for support with one hole**
14020167	Full kit for support with three holes**

**Air breather included in mounting kit

Separate support parts

No.	Part no.	Description	Weight [lbs]
01 & 02	14020310	Support with one hole incl. rubber	19.2
01 & 02	14020311	Support with three holes incl. rubber	19.2
02	14020436	Rubber for support	0.9
03 & 04	14020309	Strap with rubber	3.1
03	14020428	Rubber for strap	0.4
n/a	14020331	Mounting kit double support tank: - pin bottom (2x) - pin top (2x) - bolt M12 for strap (2x) - square washer M12 for strap (2x) - rectangular washer (4x)*	

* The washers are for mounting support to chassis with M14 bolts.

If M16 (Grade 10.9) bolts are used, see Accessoires for washer kit for M16 bolts.

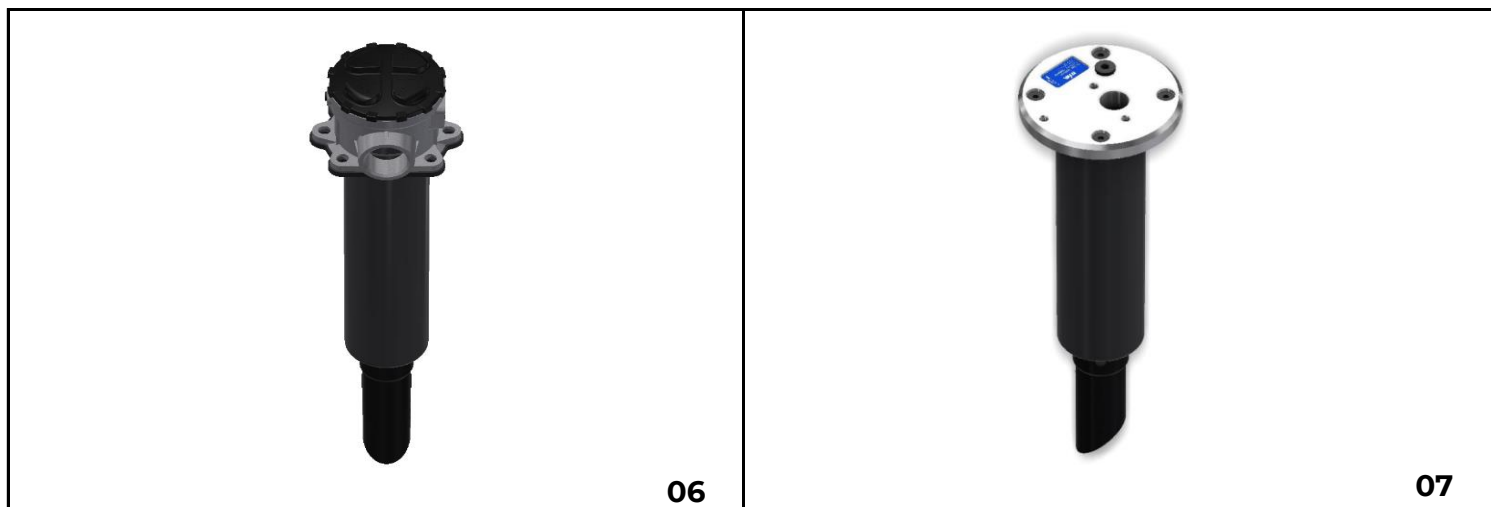
Air Breather

No.	Part no.	Description	Weight [lbs]
05	08102116	Air breather	0.9



05

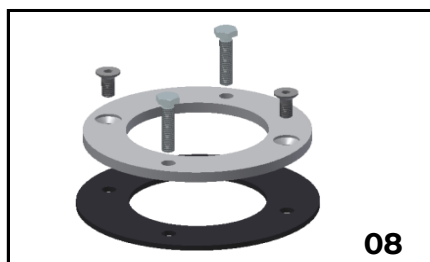
Return filters



No.	Part no.	Description	Weight [lbs]
06	14780352	Return filter housing type 250 L/m*	5.3
07	14895924	Return filter plate type 250 L/m*	4.6

*Attention! : Return line filters are not in the mounting kit. To be ordered separately.

Strengthening Ring

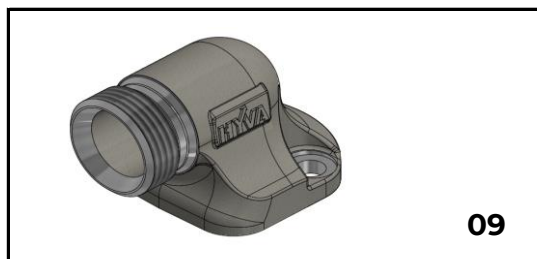


No.	Part no.	Description	Weight [lbs]
08	14020509	Strengthening ring SM tank RF kit	0.7

If hoses larger than 3/4" or multiple hoses are connected to the return filter house version (no's 06).

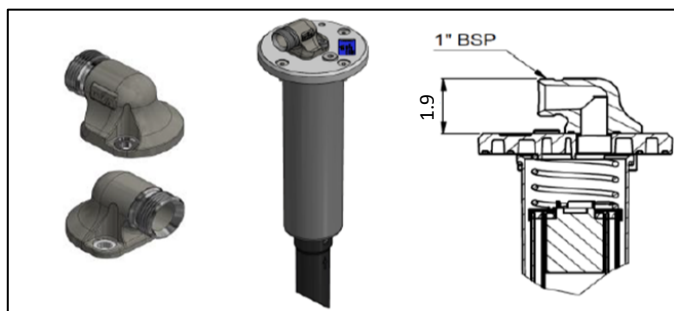
HYVA advises to use the strengthening ring (no. 08)

Adaptor



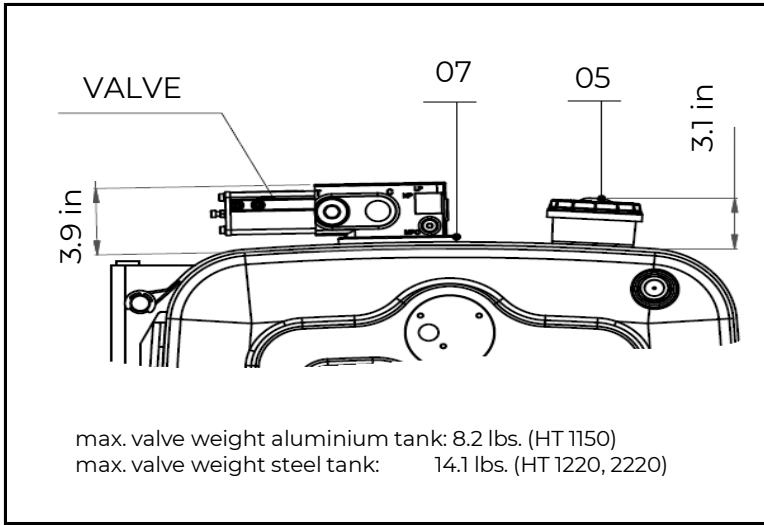
No.	Part no.	Description	Qty
09	01317987	Adaptor kit 90 for return filter-1" BSPOTC	1

Mounting options

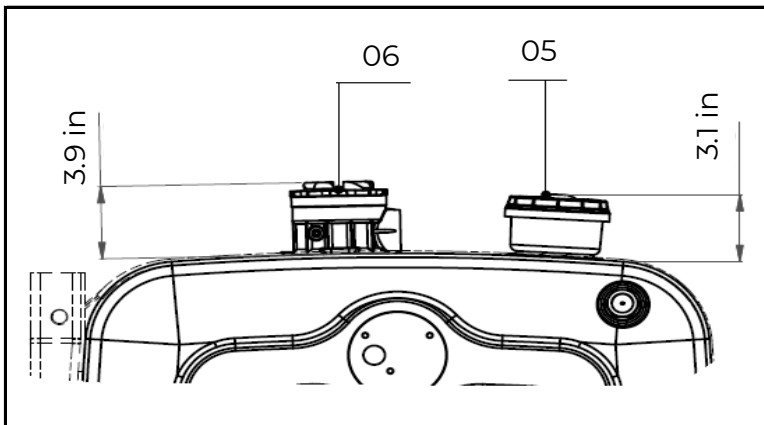


Part no.	Description	Qty
see adaptor kit	Adaptor-90-elbow-1" BSPOTC	1
see adaptor kit	Bolt HSHC M8x16x1.25 DIN 912 ZP	2
see adaptor kit	O-Ring 34.60x2.62	1

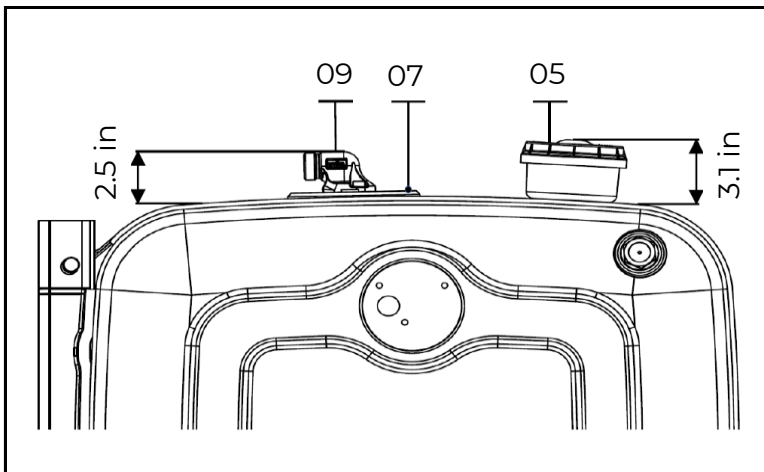
Valve mounting options



Valve mounted on tank



Valve mounted on chassis or cylinder (SAE)



Valve mounted on chassis or cylinder with Return line Plate version