

\* incl. 20 [-5; +30] mm pull out

3D model is available on request or [www.hyva.com](http://www.hyva.com)

Specifications		Max. pump flow		Tipping time	
Max. working pressure	250 bar	With KO <sup>1</sup>	190 L/min	With KO <sup>1</sup>	44 sec
Weight	447 kg	Without KO <sup>1</sup>	170 L/min	Without KO <sup>1</sup>	49 sec
Working volume	139 L	With KO <sup>1</sup> below -20°C	133 L/min	With KO <sup>1</sup> below -20°C	63 sec
Total volume	149 L	Without KO <sup>1</sup> below -20°C	119 L/min	Without KO <sup>1</sup> below -20°C	70 sec
Max. cyl. load (start tipping)	345 kN			Allowable lowering time	44 sec
Max. cyl. load (end of stroke) <sup>2</sup>	170 kN				
Max. cyl. load (end of stroke) <sup>3</sup>	199 kN				

Technical notes

- This cylinder is a lifting device only. • It should not be used as a structural member and should not be subjected to side loads. • Tipping valve must have a pressure relief at the cylinder port set not higher than max. working pressure. • Verify max. cyl. load. • Working temperature range is between -40°C and +80°C. • Max. duration of extension is 0.5 hours (excluded hard chromed stages). • Cylinder is painted black (RAL9005) with a min. thickness conforming to the 480 hours neutral salt spray test as per ISO 9227. • <sup>1</sup> Hyva knock-off. • <sup>2</sup> Unsubstantial unloading (sticky load). • <sup>3</sup> Substantial unloading.

Related documentation

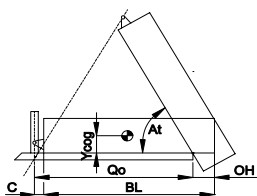
Bracket options:	015BRA10 & 015BRA12
Mounting instructions:	CYL-0030
Oil specifications:	OIL-0011
Spec sheet explanation:	CYL-0041

Configuration

Extension	1	2	3	4	5	6	7	Total
Effective diameter [mm]	191	169	149	129	110			
Stroke* [mm]	1510	1530	1530	1530	1530			7630

Tipping weight

For detailed tipping calculations please refer to: <https://tipper.hyva.com>



BL body length  
OH rear overhang  
Ycog vert. pos. centre  
of gravity  
Qo pivot length  
C bracket length  
At tipping angle  
stroke x 60 / Qo

BL [mm]	10200			9800			9400		
OH [mm]	200	500	800	200	500	800	200	500	800
At [°]	44	45	47	46	47	49	48	50	51
Ycog [mm]									
600	64	67	72	66	69	74	67	72	77
900	67	71	76	69	74		72		
1200	70	75		73					

Tipping weight [ton] at maximum pressure of 250 bar for a vertically mounted cylinder and C is 229 mm

Pos.	Part no.	Description	Qty.
C01	71839050	DUST COVER FC LOW 15-273	1
C02	71737724	COVER 273-1585 PIN60 A360 SPH LOCK	1
C03	01702956K	WASHER M48 DIN 125B ZP	1
C04	01702907K	TOPNUT NYLOC M48x3 DIN 985 ZP	1
C05	01791953	O-RING COVER D.273	1
C06	15014550K	BOLT HSHC M12X30X1.75 Q8.8 DIN 912 ZP	1
P01	74463721	PISTON FL3 S 110-1785-HC	1
P02	71853110K	SLIDER FL 110 (2 X 1/2) A22	1
P03	71851110K	OUTER STOPRING FL 110 A22	1
P04	71822110	BOTTOM PLATE PISTON FL 110	1
P05	01745050K	CIRCLIP 100 DIN 472 (105.5x3.0)	1
P06	71870220K	O-RING PISTON BOTTOM 110	1
P07	71848300	PISTON HEAD FL3 110	1
P08	01226538K	O-RING 91.67 X 3.53 MM NBR	1

S41	74604720	STAGE FL2 129-1780	1
S42	71802129K	PACKSET FL 129/HP 129	1
S43	71853129K	SLIDER FL 129 (2 X 1/2) A22	1
S44	71851129K	OUTER STOPRING FL 129 A22	1
S45	71852129K	LIFTRING FL 129 A22	1

S31	74605720	STAGE FL2 149-1780	1
S32	71802149K	PACKSET FL 149/HP 150	1
S33	71807151K	SLIDER FL 149 A35	1
S34	71851149K	OUTER STOPRING FL 149 A22	1
S35	71852149K	LIFTRING FL 149 A22	1

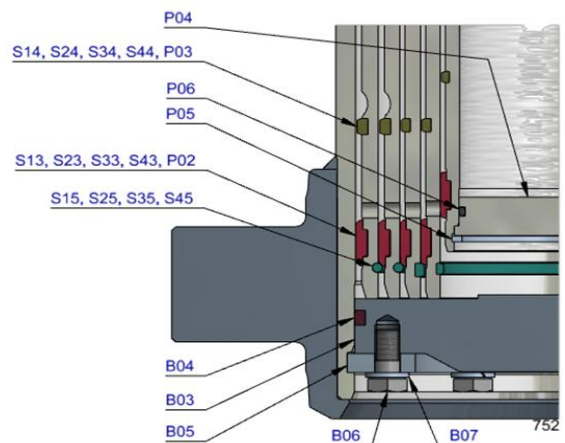
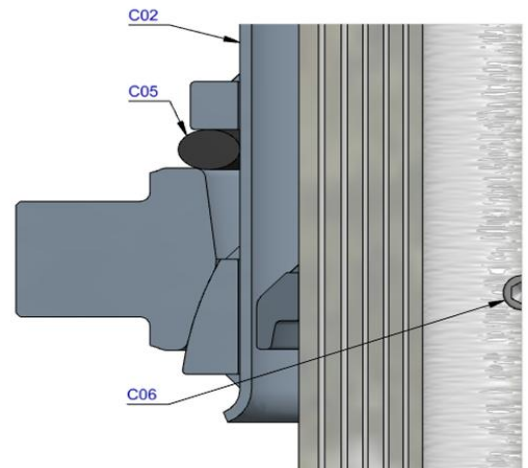
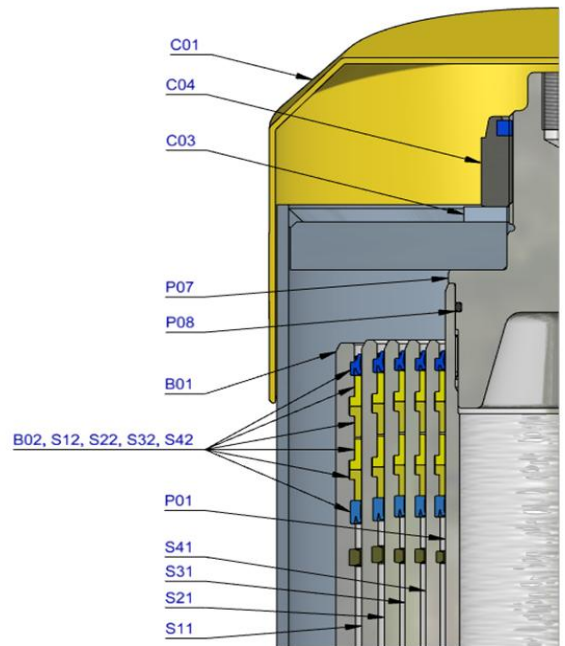
S21	74606720	STAGE FL2 169-1780	1
S22	71802169K	PACKSET FL 169	1
S23	71807171K	SLIDER FL 169 A35	1
S24	71851169K	OUTER STOPRING FL 169 A22	1
S25	71813169K	LIFTRING FL 169x5	1

S11	74607720	STAGE FL2 191-1780	1
S12	71802191K	PACKSET FL 191	1
S13	71807193K	SLIDER FL 191 A35	1
S14	71851191K	OUTER STOPRING FL 191 A22	1
S15	71813191K	LIFTRING FL 191x5	1

B01	74508720R1485	BASE FL2 214-1831-4/4BSAE-190-C273	1
B02	71802214K	PACKSET FL 214	1
B03	71825435	BOTTOM PLATE FL2 214	1
B04	71870045K	SEAL BOTTOM PLATE FL 214	1
B05	71820214	LOCKING PLATE FL 214	3
B06	01732020K	BOLT HEX M12X25X1.25 SET 6 PCS	1
B07	01732523K	WASHER SPRING M12 SET 6 PCS	1

Seal kit complete

71908750K	Consists of all packsets with packset grease and O-rings
-----------	--



Notes

The inner stopring and piston bottom are pre-mounted on spare bases, stage and pistons. Therefore, when ordering new tubes, it is not required to order these parts separately.

For repair instructions see: CYL-0040. Serial no. is located on type plate and near type plate support.