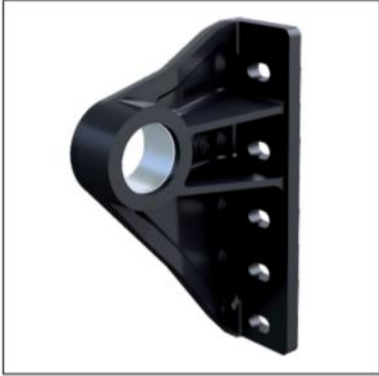
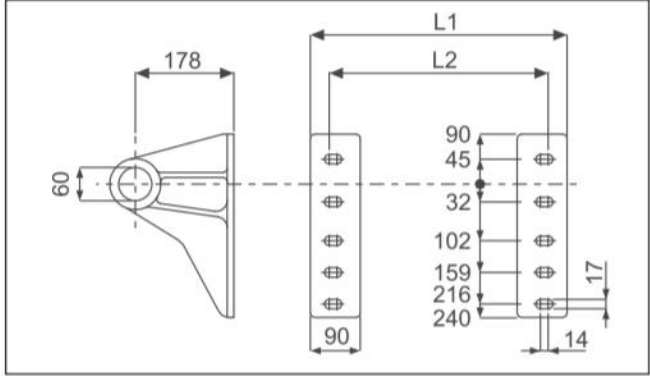


**LIFTING BRACKETS FOR CYLINDER TYPE: FC 110/118/129**

Bracket Type	Part no. right bracket	Part no. left bracket	Description	Weight (kg)	Max. cylinder load (kN)	Part no. replacement bush
Maintenance free	01509120	01509121	Lifting bracket D60 H178 110-129	7.7	190	01794235
Greased version	01509124	01509125	Lifting bracket D60 H178 110-129 greas	7.9	255	None



Cover	A-dimension*	L1 (mm)	L2 (mm)
168	201	305	237
219	340	444	376
241	340	444	376
242	340	444	376

\* Refers to trunnion width, which can be found on the spec sheet.