

HYVA CYLINDER

714 37 779



type: UME 191-5-2730-K345-60-3/4"-H65-HC

tipping weight: 30-40 ton

page # 1 / 1

Stage diameters 191 169 149 129 110	front view cylinder		<table border="0"> <tr><td>A</td><td>245</td></tr> <tr><td>ØC</td><td>215</td></tr> <tr><td>G¹</td><td>820</td></tr> <tr><td>I</td><td>430</td></tr> <tr><td>K¹</td><td>345</td></tr> <tr><td>H¹</td><td>82</td></tr> <tr><td>N</td><td>45</td></tr> <tr><td>ØP</td><td>107</td></tr> <tr><td>ØY</td><td>65.5</td></tr> <tr><td>S</td><td>443</td></tr> <tr><td>ØW</td><td>60</td></tr> <tr><td>X</td><td>45</td></tr> </table>	A	245	ØC	215	G¹	820	I	430	K¹	345	H¹	82	N	45	ØP	107	ØY	65.5	S	443	ØW	60	X	45
A	245																										
ØC	215																										
G¹	820																										
I	430																										
K¹	345																										
H¹	82																										
N	45																										
ØP	107																										
ØY	65.5																										
S	443																										
ØW	60																										
X	45																										

¹including 20 mm pull-out [tol. -5; +30 mm]

²cylinder is delivered including oil inlet swivel adapter

specifications

total stroke ¹	2730 mm
dry weight cylinder only	149 kg
total volume	53.5 L
working volume	49.7 L
maximum pressure	220 bar
maximum pump flow	143 l/min
maximum allowable thrust first stage ³	32.0 ton
oil inlet	3/4" BSP

technical notes

This cylinder is a lifting device only and may not be used as a structural member or be subjected to side load. Sideload and/or poor alignment might result in cylinder leakage.

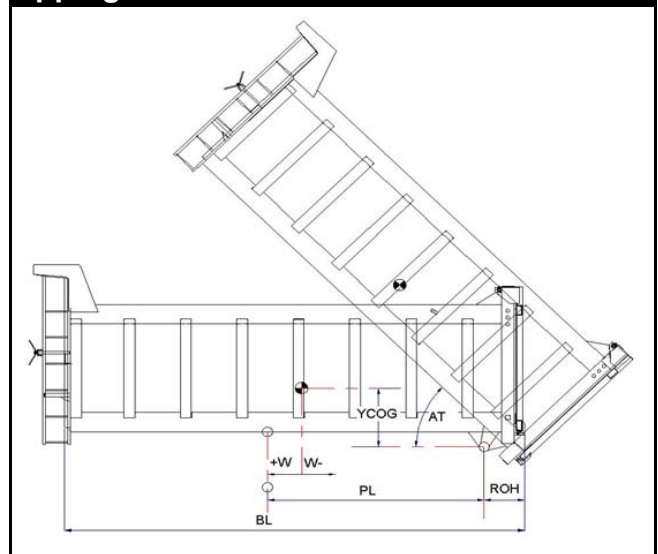
Hyva therefore strongly recommends the use of a cradle, even in instances where the cylinder only tips to the rear or to the side. The cylinder is painted black RAL9005.

For suitable hydraulic oils, please refer to data sheet OIL-0011. For details of available brackets and cradles, please refer data sheet 015BRA06.

Detailed calculations can be made using the HYVA Tipper Program, freely available from tipper.hyva.com.

³The cylinder thrust on the first stage (from the HYVA Tipper Program) must not exceed the maximum allowable (see specifications above).

tipping view



tipping weight

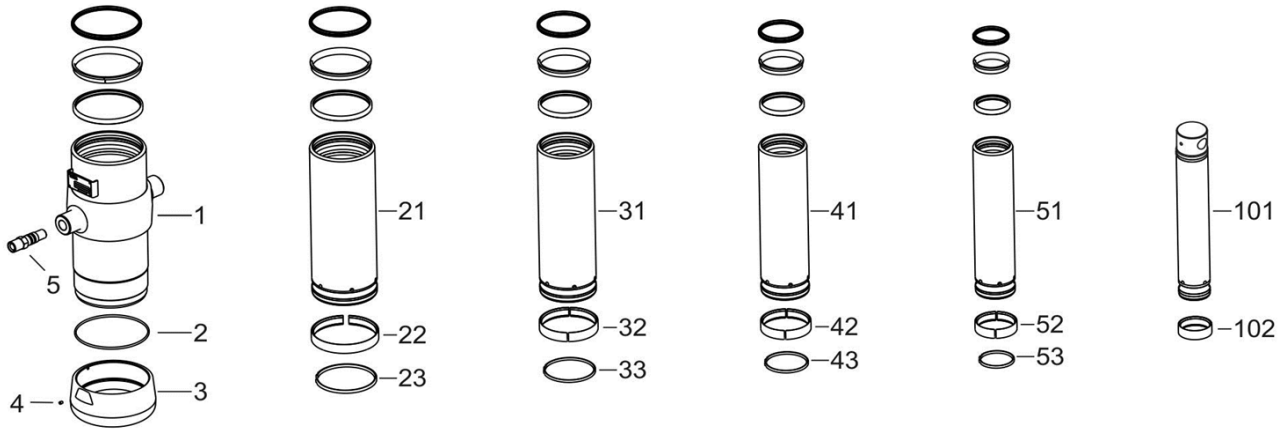
AT	46	deg	52
PL	3560	mm	3150
YCOG	700	mm	700
ROH	700	mm	700
BL	8520	mm	7700
	7750	mm	7000
	7100	mm	6420
CYL w.r.t. COG (W)	0	mm	0
	390	mm	350
	710	mm	640
Tipping weight for full stroke of 46°			
Tipping weight for full stroke of 52°			
Tipping weight	30	ton	32
	34	ton	36
	39	ton	40
Tipping weight for second last stage, up to 37°			
Tipping weight for 2nd last stage, up to 42°			
Tipping weight	32	ton	32
	36	ton	36
	40	ton	40

HYVA CYLINDER

714 37 779

type UME 191-5-2730-K345-60-3/4"-H65-HC

page # 2 / 2



Spare part list

Pos	Part no.	Description	Qty.
1	73508800	BASE 214-0662-N0263	1
2	01226840	O-RING 208 X 4 70 SHORE	1
3	73101060	THREADED BOTTOM UM 214	1
4	01792571	LOCKING SCREW M6X12 INT. HEX. DIN 916	1
5	73103002	OIL INLET ADAPTOR UM 3/4"OT+O-RING	1
21	73607801	STAGE 191-0662-HC	1
22	71807191 K	SLIDER FL 191	1
23	71813191 K	LIFTRING FL 191x5	1
31	73606801	STAGE 169-0662-HC	1
32	71807169 K	SLIDER FL 169	1
33	71813169 K	LIFTRING FL 169x5	1
41	73605801	STAGE 149-0662-HC	1
42	71807149 K	SLIDER FL 149	1
43	71812149 K	LIFTRING FL 149/HP 150	1
51	73604801	STAGE 129-0662-HC	1
52	71807129 K	SLIDER FL 129/GF 129 (2 X 1/2)	1
53	71812129 K	LIFTRING FL 129/HP 129	1

Spare part list

Pos	Part no.	Description	Qty.
101	73433803	PISTON E 110-0724-H65-HC	1
102	71807110 K	SLIDER FL 110/GF 110 (2 X 1/2)	1

Seal kit complete

Part no.	Description
719 04 751K	Complete packset: Consists of all packsets with packset grease and o-ring.