

For mounting on

- Hyva tank mounting plate
- Directly on Hyva cylinder with SAE inlet

3D model is available on request

- 1 Pump connection (P)
- 2 Tank connection (T)
- 3 Cylinder connection SAE(C)
- 4 Pneumatic connection (Tip)
- 5 Pneumatic connection (Lower)
- 6 Pressure cartridge
- 7 Pressure gauge point
- 8 Adjustment screw (To adjust the lowering speed)

SAFETY

HT valve fitted on cylinder (SAE)
Valve offers hose burst safety function

Types

Hydraulic connections	Pressure (BAR)		Part Number	Description
		Max.		
P, T & C = 3/4" C = SAE		135	14767213	TIP VALVE HT-TNK/SAE-1150-135-P3/4"
		150	14767215	TIP VALVE HT-TNK/SAE-1150-150-P3/4"
		170	14767217	TIP VALVE HT-TNK/SAE-1150-170-P3/4"
		190	14767219	TIP VALVE HT-TNK/SAE-1150-190-P3/4"
		220	14767222	TIP VALVE HT-TNK/SAE-1150-220-P3/4"
		250	14767225	TIP VALVE HT-TNK/SAE-1150-250-P3/4"
		280	14767228	TIP VALVE HT-TNK/SAE-1150-280-P3/4"
T, C=3/4"& P=1" C = SAE		135	14767263	TIP VALVE HT-TNK/SAE-1150-135-P1"
		150	14767265	TIP VALVE HT-TNK/SAE-1150-150-P1"
		170	14767267	TIP VALVE HT-TNK/SAE-1150-170-P1"
		190	14767269	TIP VALVE HT-TNK/SAE-1150-190-P1"
		220	14767272	TIP VALVE HT-TNK/SAE-1150-220-P1"
		250	14767275	TIP VALVE HT-TNK/SAE-1150-250-P1"
		280	14767278	TIP VALVE HT-TNK/SAE-1150-280-P1"

Optional adapter kits	Kit number
3/4" Straight TNK	AK5212TS
3/4" 90 degree TNK	AK5212TE
3/4" Straight SAE	AK5212SS
3/4" 90 degree SAE	AK5212SE
1" Straight TNK	AK5216TS
1" 90 degree TNK	AK5216TE
1" Straight SAE	AK5216SS
1" 90 degree SAE	AK5216SE

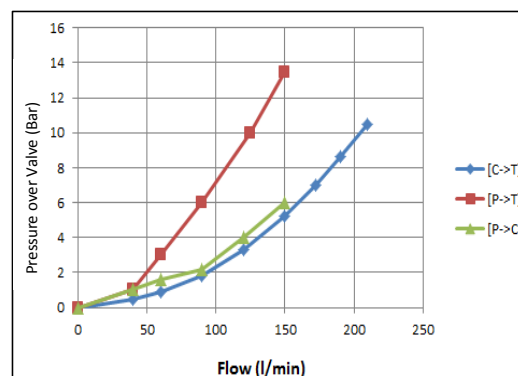
Mounting kits	Kit number
Cylinder (SAE)*	14735162
Tank (TNK)*	14735160

* = NOT included with valve

Specifications

Type	Spool valve with pressureless bypass in neutral. Oil flow in lowering position is proportional with pneumatic pilot pressure.	
Max. peak pressure	300 bar	
Pneumatic pilot pressure	6-12 bar	
Max. pump flow	150 L/min	
Max. pressure on T-connection	10 bar	
Min. filtration (ISO 18/13)	25 µm	
Viscosity range	min	12 mm ² /s (cst)
	max	100 mm ² /s (cst)
	Temperature range	min
	max	80 °C
Mass	3,7 kg	

Δp - Q characteristic



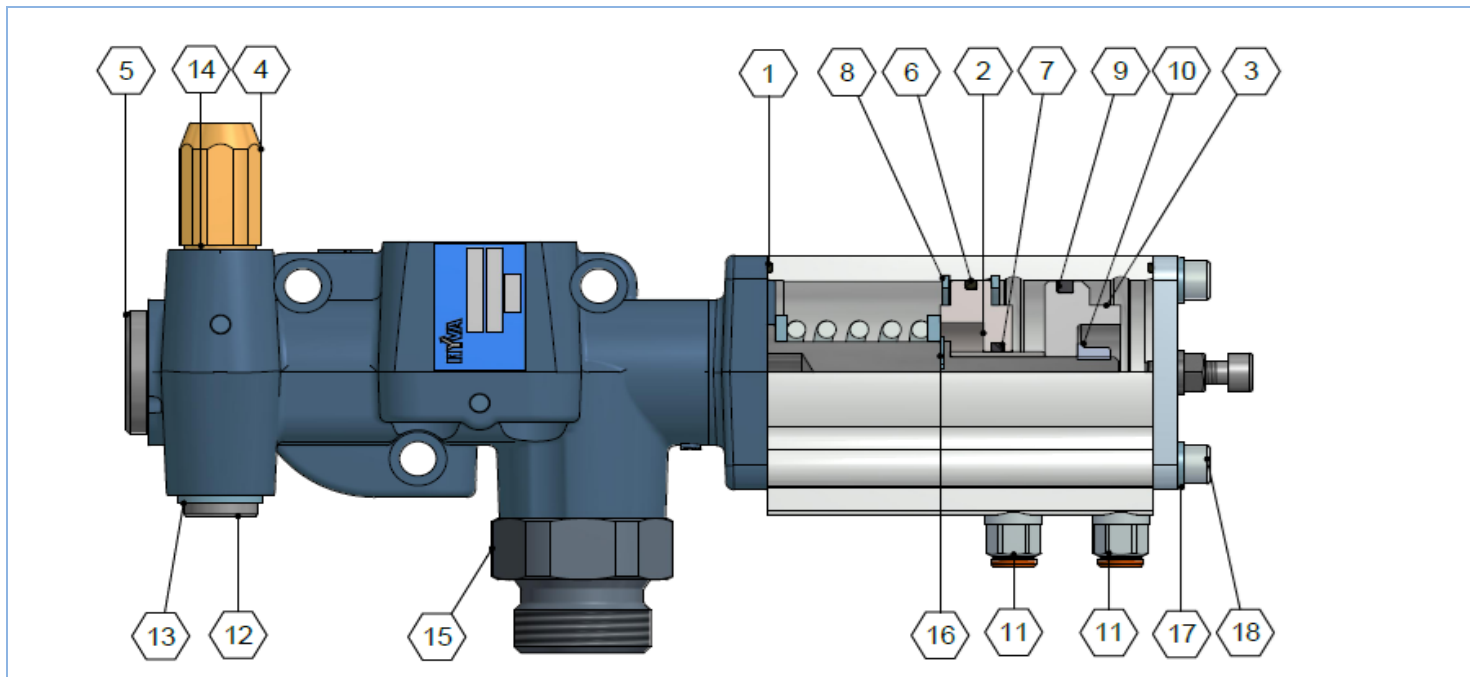
Technical notes

- Mount the valve according the mounting instructions
- Use the correct washers and adapters in the ports to prevent housing deformation. Do not use adapters with tapered threads
- To further prevent deformation of the valve housing, the mounting plate surface or block must be completely flat and plane.
- Do not weld to the valve.
- Ideal air pressure for valve is 8 bar.
- Make sure inlet air is dry.
- Paint Spec: TN00_00001

Related documentation

Mounting instructions: VAL-0022

OIL Specifications: OIL:0011



Spare Parts

No.	Part no.	Description	Qty
1	01226200	O-ring	2
2	14845005	Closing plate for HT-valve	1
3	14845007	Piston air cylinder	1
4	14772...	Cartridge pressure relief	1
	14772135	135 bar	
	14772150	150 bar	
	14772170	170 bar	
	14772190	190 bar	
	14772220	220 bar	
	14772250	250 bar	
	14772280	280 bar	
5	14845024	Plug	1
6	14845013	O-ring	1

No.	Part no.	Description	Qty
7	14845018	Quadring	1
8	14845019	Circlip	2
9	14845020	Quadring	1
10	14845015	Sealing nut M8 for HT-valve	1
11	14810517	Air coupling 1/8"	2
12	14845039	Plug	1
13	01206813	Bonded seal	1
14	14841215	O-ring 10,82 x 1,78	1
15	14739980	Non return valve 3/4"	1
	14739975A	Non return valve 1"	1
16	15029046	Circlip	1
17	15022015	Washer spring	4
18	15013639	Bolt HSHC	4

Hydraulic symbol of the HT valve

